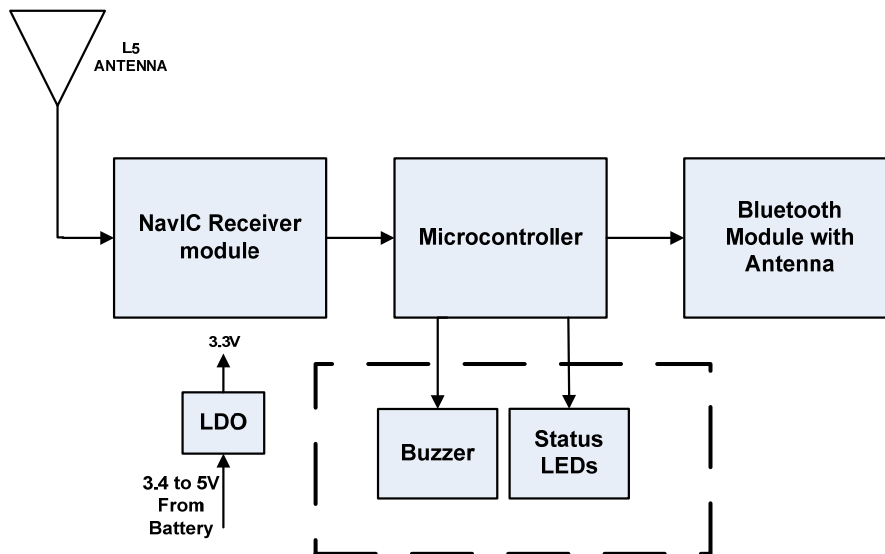


Rate Contract for Manufacturing NavIC Messaging Receivers
(For Tender no SAC/HPUR/2018005232)

For Limited Vendors

Corrigendum



Bill of Material (BOM) with Quantity:

Item	Component	Part	Package	Quantity
1	Capacitor	4.7uF	0402C	1
2	Capacitor	0.1uF	0402C	7
3	Capacitor	22uF	0603C	2
4	Capacitor	1uF	0402C	1
5	Capacitor	10uF	0603C	4
6	LED	Green	0402 LED	1
7	LED	Red	0402 LED	1
8	LED	Orange	0402 LED	1
9	LED	Blue	0402 LED	1
10	Micro USB Connector	USB3075	USB3075	1

11	SMA Connector	SMA TH	SMA Through Hole	1
12	Buzzer	5V BUZZER	12 mm diameter	1
13	Inductor	4.7uH	0603C	1
14	Transistor	SMBT3904E6327HTSA1	SOT-23	1
15	Resistor	1K	0402R	7
16	Resistor	240E	0402R	3
17	Resistor	0E	0402R	8
18	Resistor	4.7 k	0402R	4
19	Resistor	10 k	0402R	5
20	SPDT Switch	OS102011MA1QN1		1
21	Microcontroller	ATMEGA328P-AU	32A	1
22	LDO	TPS73633DBVT	TPS Regulator	1
*23	NavIC Module	SkyTraQ	SkyTraQ Module	1
24	Bluetooth Module	HC-05 BT Module	HC-05	1
25	Power Bank	≥10000mAh Power bank, Output: 5V, 2A(max)		1

***NavIC Module will be available as FIM.**